

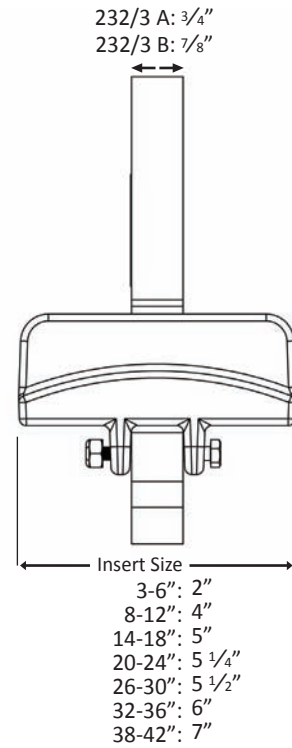
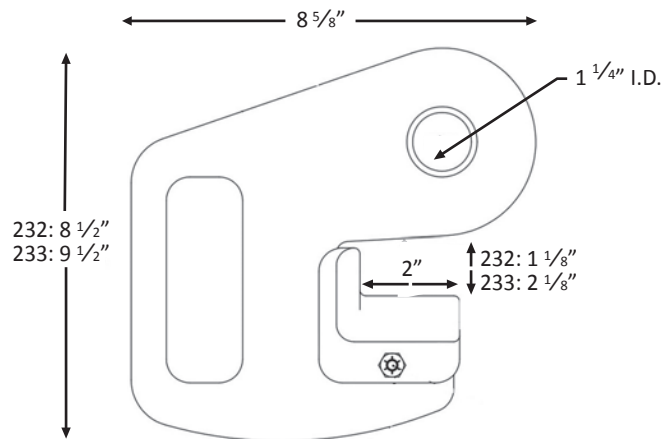
Dimensions

For Pipe Hooks

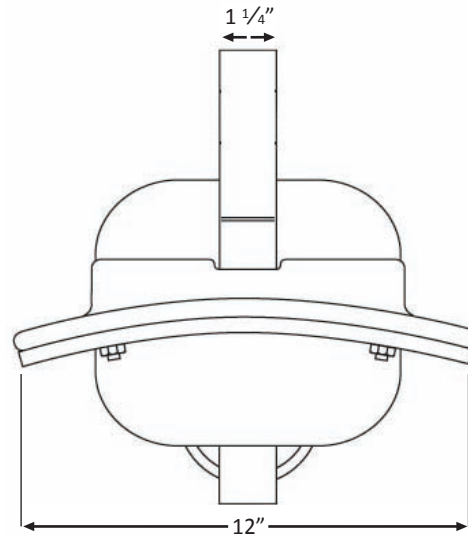
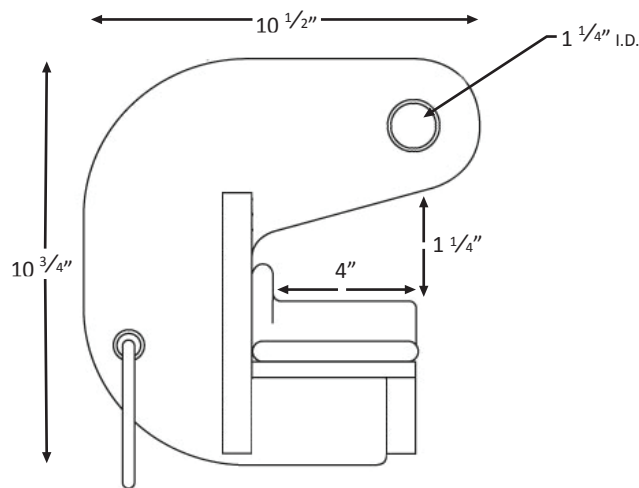
Load Capacity (per hook)

- A Size: 8,000 lbs
- B Size: 10,000 lbs
- C Size: 25,000 lbs

Models 232 & 233 [A&B]



Model 231 [C]



SAWYER MFG COMPANY

7799 S Regency Drive • Tulsa, OK 74131
P (918) 834-2550 • F (918) 834-0318